



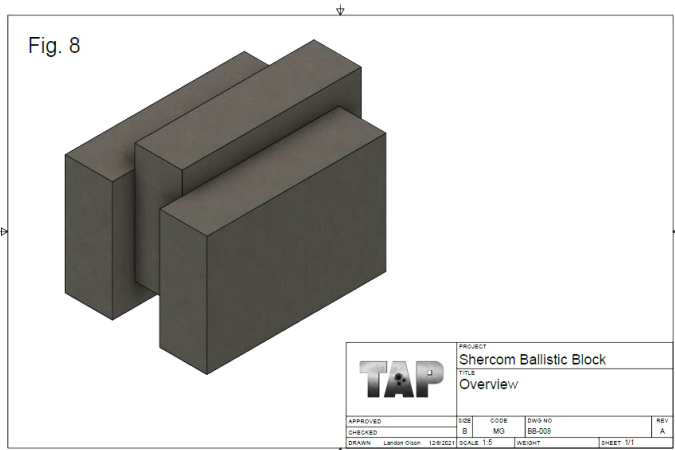
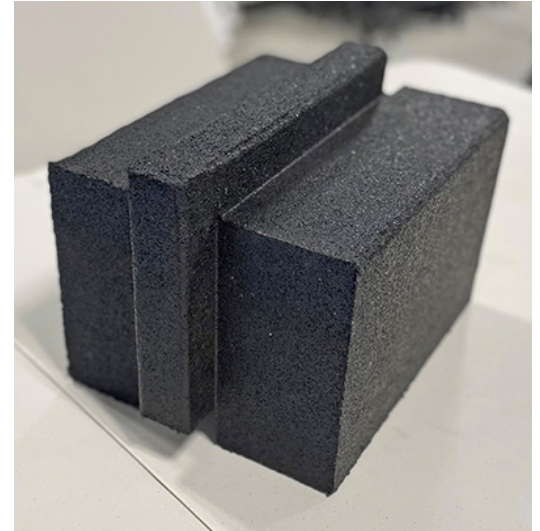
No Gap Design

Modular rubber blocks form a complete surface area. The no gap design eliminates the potential for bullets to enter where rubber is not present. It will encapsulate a maximum number of rounds trapped inside shot from all angles.

Modular / Custom Build

Our ballistic block is designed in an unique shape that allows vertical and horizontal stacking. The shape used in any combination provide a seam free surface that will capture bullets from all angles.

Use our ballistic block to build lane traps, tactical training rooms and shoot-houses. The modular capability give numerous applications to any training facility.

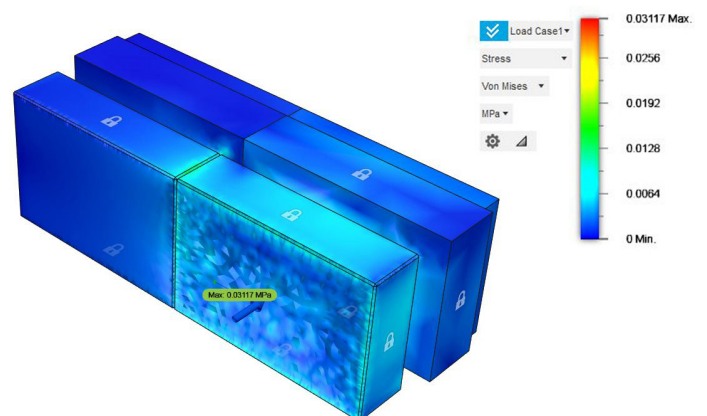


Modular Ballistic Block

Dimensions: 12" x 8" x 9.5"

Weight: 36 lbs

Part #: 4281200



- Modular customizable target stops
- Self-healing bullet encapsulater
- Takes up to .308 caliber
- Vertical or horizontal combinations
- Replacement blocks available
- Made of 100% recycled rubber
- LEED Certified
- Patent pending

